

# TRACKER 1100

3-Axis LEO/MEO/GEO tracking antenna system compatible with Ka-band satellites

Product Sheet

When Connection Matters

# COBHAM

**The TRACKER 1100 Ka-Band is a 3-Axis LEO/MEO/GEO antenna system compatible with Ka-Band satellites.**

## Best Pointing Accuracy

The TRACKER 1100 Ka-Band is supplied in a 1.55m/ 61 in spherical radome. Featuring an integrated control unit (ICU) that provides electronic control and monitoring to maintain the best pointing accuracy in the maritime market.

The TRACKER 1100 system is designed to meet the various Ka-Band LEO/MEO/GEO network requirements for the foreseeable future.

## Auto Polarity Switching

The TRACKER 1100 is very adaptable and can be configured for commercial and/or military RF frequencies.

The system can also be configured with a single circular polarization or switchable polarizations from the indoor controller (RHCP/LHCP).

## Optimal Security

The Media Xchange Point (MXP) and Integrated Control Unit (ICU) features include three levels of User Access (Password Protected), a one key stroke monolithic software upgrade,

extensive remote monitoring and diagnostic capabilities, legacy command set compatibility support and ease of system parameter file uploads for multiple systems operating on identical networks.

## World Class Technology

The intuitive web GUI user interface can be accessible from practically any internet-enabled device including mobile devices, with secured socket layer (SSL) password protection, built-in remote management capabilities, multi-level data analysis capability and easy integration into network management systems through its MXP, make the IMA software enabled TRACKER 1100 Ka-Band ready to meet the communications

needs of the maritime market in the 21st century.

The TRACKER 1100 Ka-Band is simple to install and designed to meet some of the toughest shock and vibration specifications, such as IEC 60721 and mechanical class 6M3.



# TRACKER 1100

3-Axis LEO/MEO/GEO tracking antenna system compatible with Ka-band satellites

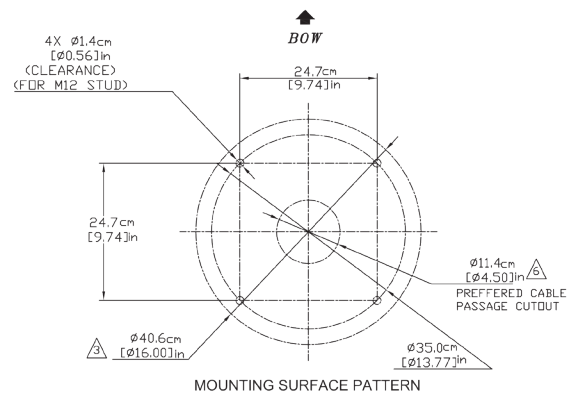
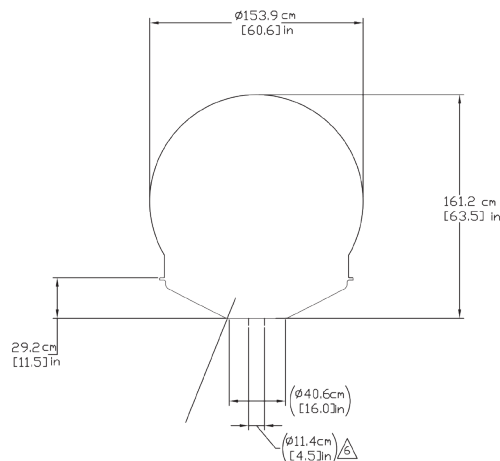
## Typical Data for the Sea Tel 4412

### SPECIFICATIONS

Reflector Size	1.1m /43 in D Ring Focus
Radome Diameter	1.55 m / 61 in D (Spherical )
Tx Frequency	27.5 GHz to 31.0 GHz
Rx Frequency	17.7 GHz to 21.2 GHz
Tx Gain	48.5dBi @ 31 GHz
Rx Gain	45.5dBi @ 20.5 GHz
BUCs	Various Ka-band BUCs available
Pedestal Type	3 Axis (Azimuth, Elevation, Cross Level)
Azimuth	Unlimited
Elevation Joint Angle	-15° to +115°
Weight	160 kgs / 353 lbs
Polarization	Circular LHCP or RHCP (Remotely Selectable)
Stabilization Accuracy	0.1° RMS

## Typical Data for Media Exchange Point (MXP)

- Standard 19 inch 1U rack mount (slide rails optional)
- 43 cm x 43 cm x 4.35 cm / 17 in x 17 in x 1.75 in
- 110/220VAC, 47-63 Hz, Single Phase
- 3.0 kg (6.6 lbs)
- 4 Ethernet Ports
- 1 Ethernet Port (Internal, RJ)
- 1 sma Connector (Rx from RJ)
- 1 F-Connector (RJ to diplexer)
- 6 Tri colored MXP status LEDs
- USB Device (Mini B)
- 2 RS-232 pass through ports
- 1 NMEA RS-232 serial port
- 1 RS-232 Console port
- SBS & Synchro Gyro Inputs
- Aux IN1 & Aux IN2
- SW1, SW2, SW3, SW3A, SW4, SW4A (I/O)
- TLE support for LEO Applications



For further information please contact:

satcom.ohc@cobham.com