

Land TRACKER Products

Supporting reflector sizes from 65cm to 7.3m

Product Sheet

When Connection Matters

A single-source solution

Introducing a new line of land based tracking antennas:

- TRACKER 65cm
- TRACKER 1m
- TRACKER 1.6m
- TRACKER 2400
- TRACKER 4500
- TRACKER 5000
- TRACKER 6000
- TRACKER 7300

All systems leverage Sea Tel Next Generation IMA electronics and interface, and feature:

- Low Power Consumption
- Low Operating Costs
- Low infrastructure Costs
- TLE program track
- Built-in AutoTrack
- Complete System
 - Radome
 - Antenna Controller
 - Feeds
 - Customer specific RF (BUCS, feeds, etc.)

Leading performance

The proof is in our performance

Cobham SATCOM's mission critical trackers have been deployed for 2 decades and have proven minimal upkeep expenses and relatively low initial costs. Cobham SATCOM is pleased to offer a wide array RF solution using its strategic sourcing solutions, at substantially lower entry costs to market.

Reduced life cycle costs

Our inertial balanced antenna system technology is a revolutionary platform which will enable Satellite Network and Constellation Operators to significantly reduce their earth station infrastructure capital cost as well as the total operational costs over the life of the systems."

High technology, low cost

Cobham SATCOM's 3-Axis Zero Gravity solution is where the center of gravity is co-located with the center of rotation, resulting in an effortless track that consumes almost no power. This solution requires minimal maintenance, affords high reliability and outperforms the competition.

Cobham SATCOM Tracker antennas are designed from the bottom up to merge the best of land tracking functions with Cobham SATCOM's market leading maritime architecture to deliver the best in class, mass produced, high performing, low cost solution for your tracking needs.

Reduced operating expenses

- Balanced system significantly reduces power consumption
- Requires 200 watts to operate the system (no RF) regardless of size, 2.4m to 7.3m
- Reduced install time (2-5 days)
- System is fully enclosed in radome with no parts exposed
- Many service procedures 1 hour or less
- Built-in Auto Track
- Reduced operational overhead
- SNMP-enabled
- No on-site attendant required



Land TRACKER Products



Supporting reflector sizes from 65cm to 7.3m

Antenna size	UHF	L-S	C	C/X	X	X/S	Ku/X	Ku	Ka	Q	V	E	Tri-band
65cm								X	X				
1m								X	X				
1.6m			X					X	X		X	X	
2.4m		X	X		X	X	X	X	X				X
3.7m	X		X		X	X			X	X			
4m	X		X		X	X			X	X			
6m			X	X	X	X			X				
7.3m			X	X	X	X			X				
Flat Panel 65cm Ka-Band 1st Qtr 2021v													

Typical Data for TRACKER Products

PARAMETER	4.5m	5m	6m
Reflector Size	4.5m	5m	6m
Antenna Design	Prime Focus	Prime Focus	Prime Focus
Radome Size	5.5m	6.0m	8.5m
Radome Composition	Composite A sandwich	Composite A sandwich	Composite A sandwich
Tx Gain	See below table	See below table	See below table
Rx Gain	See below table	See below table	See below table
G/T	27.5 dB/K	28 dB/K	29.6 dB/K
LNB Gain (Typical)	70 dB	70 dB	70 dB
Power Consumption	300 w	300 w	~300 w
Input Power	110/220 VAC 50/60 Hz	110/220 VAC 50/60 Hz	110/220 VAC 50/60 Hz
IF Frequency	950 -1950 MHz	950 -1950 MHz	950 -1950 MHz
Pointing Accuracy	<.1°	<.1°	<.1°
Wind	155 mph	155 mph	155 mph
Temp	-40° C to 55° C	-40° C to 55° Deg C	-40° C to 55° C
Warranty	3 Years Parts & Labor	3 Years Parts & Labor	3 Years Parts & Labor years

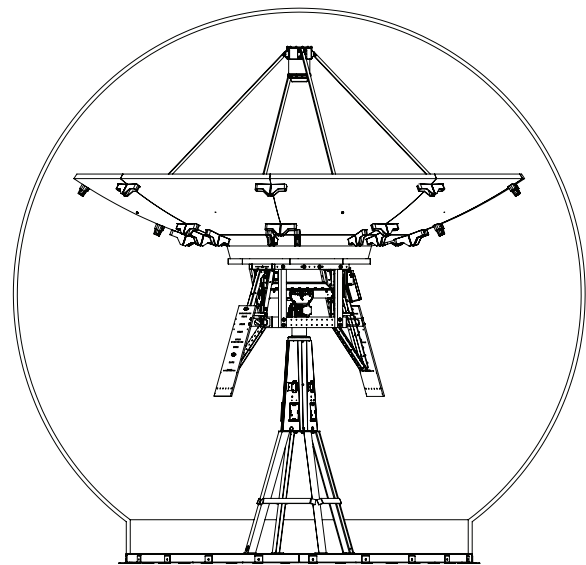
Typical Data for Media Xchange Point (MXP)

- Standard 19 inch 1U Rack Mount. (Slide Rails Optional)
- 43 x 43 x 4.35 cm / 17 x 17 x 1.75 in
- 110/220VAC, 47-63 Hz, Single Phase
- 3.0 kgs / 6.6 lbs
- 4 Ethernet Ports
- 1 SMA connector (Rx from RJ)
- 1 F connector (RJ to diplexer)
- 8 status LED's
- USB device (Mini B)
- 2 RS-232 pass through ports
- 1 NMEA RS-232 serial port
- 1 RS-232 console port
- SBS & Synchro gyro inputs
- Aux 1N1 & Aux 1N2
- SW1,SW2,SW3,SW3A,SW4,SW4A (I/O)

Prime Focus (Typical)

		Prime Focus (Typical)		
		4.5m	5m	6m
S Band	Tx Gain	37.2 dBi	38.2 dBi	39.8 dBi
	RX Gain	38 dBi	39 dBi	40.6 dBi
	G/T	18 dB/K	19 dB/K	20.5 dB/K
C Band	Tx Gain	46.9 dBi	47.9 dBi	49.5 dBi
	RX Gain	43 dBi	44 dBi	45.6 dBi
	G/T	22.5 dB/K	23.5 dB/K	25 dB/K
X Band	Tx Gain	49.4 dBi	50.4 dBi	52 dBi
	RX Gain	48.7 dBi	49.7 dBi	51.3 dBi
	G/T	27.4 dB/K	28.4 dB/K	29.9 dB/K
Ku Band	Tx Gain	55.4 dBi	56.4 dBi	58 dBi
	RX Gain	52.6 dBi	53.6 dBi	55.2 dBi
	G/T	30.8 dB/K	31.8 dB/K	33.3 dB/K

* High Efficiency Custom RF (cassegain w/splash plate) available upon request



TRACKER satellite antenna system inside the radome.

For further information please contact:

satcom.ohc@cobham.com